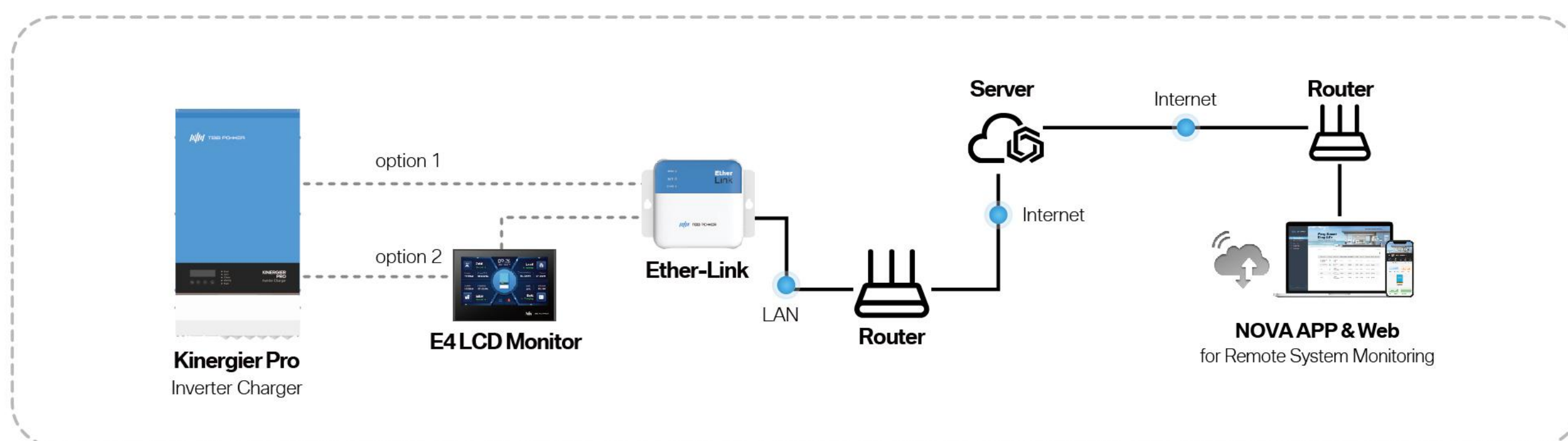


Ether-Link



Similar to Kinergy, Ether-link is specially designed for transmitting the real-time running data and history records of TBB systems to TBB NOVA Web and APP for system monitoring and control purpose, yet it connects to the Internet via cable. It is integrated with a 10/100Mbps Ethernet interface for connecting to a router, and a TBB standard communication interface to communicate with your TBB products or systems. It is based on ARM Cortex M4 core with up to 144MHz bus frequency and supports industrial-grade operating temperature range, perfectly satisfying the demands for high communication reliability and security.

- Supports 10M/100M bps Ethernet communication
- Compliant with the standard IEEE 802.3 flow control for full duplex operation
- Compliant with the CSMA/CD protocol for half duplex operation
- Works well with NOVA APP and Web, providing an easy access to the system real-time data and system remote control, improving user experience



Model No .	Ether-link
Ethernet Performance	
Bandwidth(Mbps)	10/100
Standards Compliance	IEEE 802.3-2008 IEEE 1588-2008
Communication Port	RJ45
Acceleration	TCP/IP Hardware Acceleration
Electrical	
Operating Voltage Range(V)	9~16
Operating Current Range(mA)	5~250
Power Supply	12V 500mA (stable DC power source)
Other	
Operating Temperature Range (°C)	-30~75 (voltage at 12V, humidity at 60%)
Storage Temperature Range (°C)	-40~85
Operating Altitude (m)/Relative Humidity	5000m, 10%~85%
Protection Category	IP20
Weight (kg) / Dimensions(mm)	0.2kg, 98.2*83.1*40.3mm
Standards	CE