

Grundfos RSI

Renewable Solar Inverter for pump control

1.5-250 kW



be
think
innovate

GRUNDFOS 

1. Product introduction	3
General description	3
Features and benefits	3
Type key	4
2. Applications	5
Application example	5
Installation example, submersible pump	5
3. System components	7
Pumps	7
Renewable Solar Inverter	7
Disconnect switch, AC (optional)	7
Sine-wave filter (optional)	7
Solar panel	7
Dry-running switch	7
Disconnect switch, DC	8
Combiner box (optional)	8
Surge protection, DC	8
Level switch (optional)	8
4. Operating panel	9
Advanced password	9
5. Technical data	10
Dimensions, frame A	10
Dimensions, frame B	10
Dimensions, frame C	11
Dimensions, frame MR7	12
Dimensions, frame MR8	12
Dimensions, frame MR9	13
Dimensions, frame ED	14
Electrical and enclosure data	15
Technical data for disconnect switch, DC	15
Technical data for surge protection, DC	15
6. Product numbers	17
Renewable Solar Inverter	17
Sine-wave filter (IP21)	17
Real-time clock (RTC)	17
Cable glands	17
Option boards	17
PC Tool (RS-485)	17
Disconnect switch, DC	18
Surge protection, DC	18
Dry-running switch	18
Level switch (optional)	18
Solar cables	18
Service kits, wear parts	18
7. Appendix	19
High voltage range (3 x 380 VAC)	19
Low voltage range (3 x 240 VAC)	19
8. Grundfos Product Center	20

1. Product introduction

General description

The Grundfos Renewable Solar Inverter (RSI) is an off-grid solar inverter converting the DC power output from the solar panel to AC power supply for pump operation.

RSI can be used in both new and existing systems as long as the motor specifications are compatible and the motor is suitable for use with a variable frequency drive.

The list below contains the Grundfos pump types for use in applications with RSI:

- CR
- SP
- NB, NK
- MTR
- CM
- TP.

Features and benefits

Enclosure classes up to IP66

RSI is available in three enclosure classes: IP21, IP54 and IP66.

- IP21: RSI must be installed in a cabinet with sufficient ingress protection.
- IP54: RSI can be installed without a cabinet, but must not be installed outdoors without additional protection against water and sun.
- IP66: RSI can be installed without a cabinet. It can be installed outdoors, but should be shaded from direct sunlight.

Setup wizard with Grundfos product library

RSI has a built-in Grundfos product library which allows a plug-and-pump experience. The motor library contains all related parameters, which simplifies the setup process to just a few clicks and a setup time of a few minutes.

Detachable operating panel

The operating panel is mounted on RSI by using a magnet and a communication plug. The inverter can operate without the operating panel and operates with the last saved setup data.

RSI is AC and DC compatible. RSI can be connected to the grid or a generator as back-up power during solar panel disruptions.

The AC compatibility also allows the end user to connect the inverter to three-phase power in their workshop for off-site setup, which enables a fast and simple on-site installation.

Maximum power point tracking (MPPT)

The inverter has built-in electronics with four MPPT algorithms. The inverter continuously optimises the power output according to available solar irradiation as well as various environmental conditions.

Overvoltage and undervoltage protection

Overvoltage and undervoltage may occur in case of faulty installation. The inverter disconnects the power connection to the motor if the voltage falls outside the allowed voltage limits. The inverter stays in fault mode with the error code displayed until reset.

Overload protection

Overload may occur if the maximum allowed frequency is set too high or a wrong pump is used. The inverter disconnects the power connection to the motor if overload occurs. The inverter stays in fault mode with the error code displayed until reset.

Overcurrent protection

Overcurrent may occur if, for example, a wrong cable size is used. The inverter disconnects the power connection to the motor if the current falls outside the allowed current limits. The inverter stays in fault mode with the error code displayed until reset.

Note that for the overcurrent protection to function properly, the actual current value must be adjusted according to the maximum current attained at the maximum frequency shortly after the system started operation.

Overtemperature protection

The inverter may be overheated if appropriate ventilation is not available or the ambient temperature is too high. The inverter disconnects the power connection to the motor if overtemperature occurs in the inverter. The inverter stays in fault mode with the error code displayed until reset.

Note that the inverter does not detect motor temperature or protect the motor against overtemperature.

No-load protection

No-load situation of the inverter may occur if, for example, the cable to the motor is broken. The inverter disconnects the power connection to the motor if no-load occurs. The inverter stays in fault mode with the error code displayed until reset.

For the no-load protection to function properly, check the RSI installation and operating instructions carefully and follow them during operation.

Operating history

The inverter stores historical operating data. The data can be retrieved through the menu on the inverter.

Type key

Example: RSI 0100 3L 0003 4 X HMGR.

Code	Explanation
RSI	Renewable Solar Inverter
0100	Product type
3L	Three-phase power
0003 0072	Rated current [A]
	Voltage
2	208-240 V
4	380-440 V
	Enclosure class
X	IP66
-	IP21
IP54	IP54
HMGR	Option (HMGR: Operating panel with graphical display)

2. Applications

RSI is designed for continuous as well as intermittent operation. The system is suitable for various water supply systems, including irrigation.

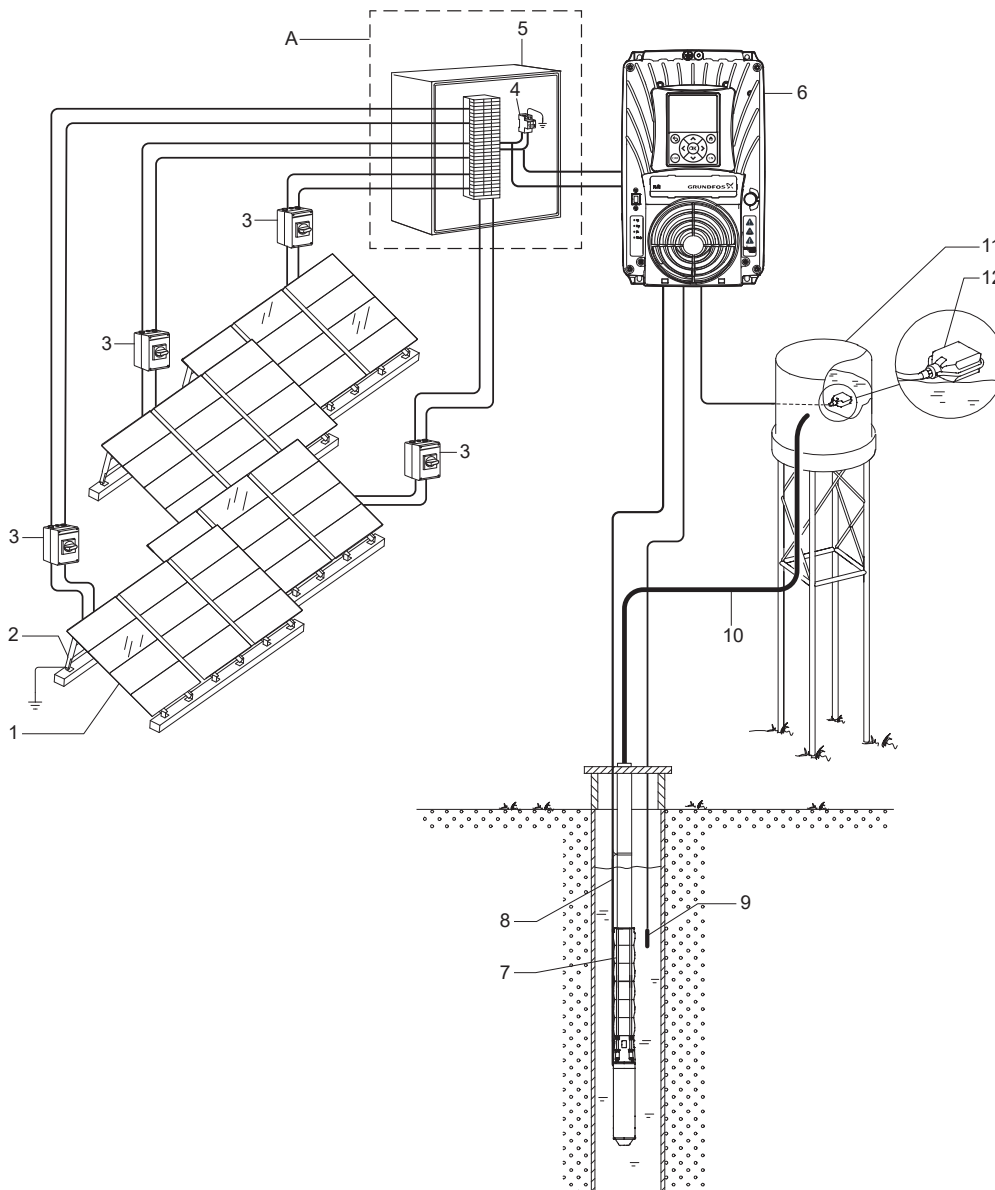
RSI can be used in existing systems with submersible pumps or dry-installed pumps, thus providing a very wide range of applications allowing you to leverage renewable energy sources with the ability to back up the system with grid or generator power.

Application example

The water production of an RSI system depends on the availability of solar power. The typical result is excess water production in the afternoon and insufficient water production in the morning and evening. A system equipped with a storage water tank enables a stable water supply throughout the day.

In a combiner box, all cables from the solar panels can be connected into one set of power input cables before connecting them to RSI.

Installation example, submersible pump



Installation example showing solar panels, solar inverter, submersible pump and water tank

TM066677

Pos.	Description
1	Solar panel
2	Support structure
3	Disconnect switch, DC
4	Surge protection DC *
5	Combiner box
6	Renewable Solar Inverter
7	SP pump
8	Submersible drop cable
9	Dry-running switch
10	Outlet pipe
11	Water tank
12	Level switch
A	Optional

* If the distance between the solar panel and the inverter is more than 10 m, it is necessary to add extra surge protection closer to the solar panel.

* If the distance between the solar panel and the inverter is more than 10 m, it is necessary to add extra surge protection closer to the solar panel.

3. System components

An RSI system consists of a three-phase Grundfos motor, an RSI solar inverter and various protection accessories.

The RSI system includes the following components:

- Grundfos motor
- RSI
- disconnect switch, AC (optional)
- disconnect switch, DC
- surge protection, DC
- solar panel
- dry-running switch
- level switch (optional)
- sine-wave filter (optional)
- combiner box.

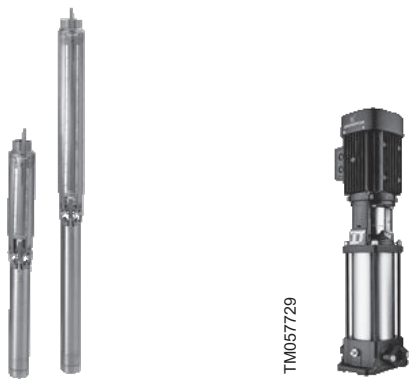
Pumps

Pump requirements for an RSI system:

- The rated frequency can be either 50 or 60 Hz.
- The pump must be able to operate with a voltage supply of 3 x 380 VAC or 3 x 220 VAC.

As standard, Grundfos three-phase pumps can only be operated via an AC voltage supply. Therefore, the solar panels must not be connected directly to the pump but must be connected via an RSI.

Grundfos pumps suitable for RSI systems



TM061729

TM061253

Renewable Solar Inverter

For a general product description, see section Product Introduction.



TM066678

RSI inverter

RSI combined with various sensors can offer the following functions:

- maximum power point tracking (MPPT)
- DC to three-phase AC conversion
- connection to dry-running switch
- connection to level switch
- operating history query.

Disconnect switch, AC (optional)

An AC disconnect switch is a standard disconnect switch used for normal three-phase power connection between the RSI output and the motor.

Sine-wave filter (optional)

A sine-wave filter is primarily used for protecting the motor against overvoltage and increased operating temperature. Output filters can also be used for reduction of motor acoustics.

Solar panel

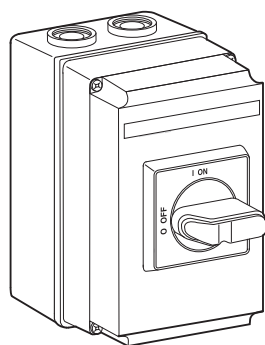
The solar panel offered by Grundfos is specially selected for Grundfos RSI.

All Grundfos solar panels are equipped with plugs and sockets enabling easy connection. The number of solar panels required depends on the water quantity and pressure required, and the installation location.

Dry-running switch

The dry-running switch is recommended for submersible pump operation. The switch can prevent the risk of the pump operating in a dry well, which could result in damage of the pump.

Disconnect switch, DC

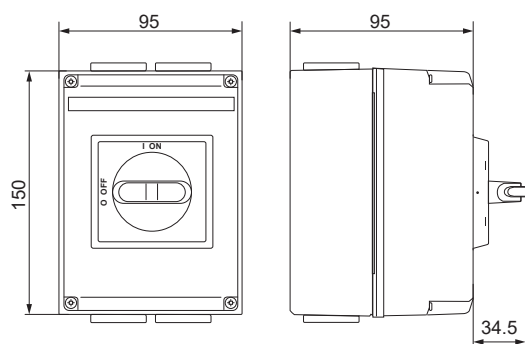


TM057581

Disconnect switch

The DC disconnect switch is suitable for the solar-powered RSI system.

The disconnect switch enables manual starting and stopping of the system. At least one DC disconnect switch is required for each set of solar panels connected in series to an RSI.

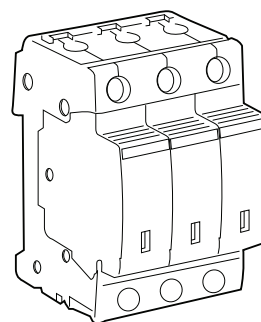


Dimensions, disconnect switch

Combiner box (optional)

A combiner box combines the output of multiple solar panel arrays for connection to RSI, instead of having an array-to-array cable or exceeding the power range for the cable.

Surge protection, DC

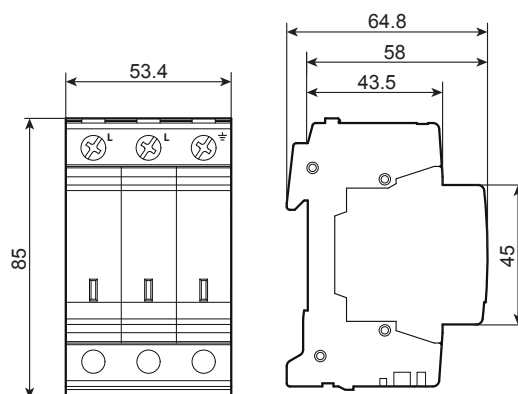


TM057582

Surge protection

The DC surge protection is suitable for the solar-powered RSI system.

The surge protection gives a very safe and reliable protection of the system by having a quick response. At least one DC surge protection is required for the DC input of RSI. We recommend also to have one DC surge protection for each solar array connected to RSI.



TM057585

TM057586

Dimensions, surge protection

Level switch (optional)

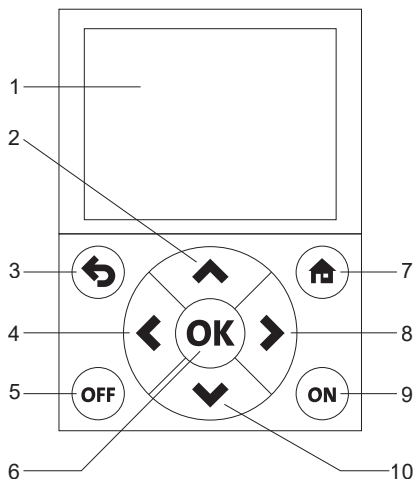
A level switch serves as a start/stop control that depends on the water level in the water tank.



TM022407

Level switch

4. Operating panel



TM076464

Operating panel

Pos.	Description
1	Display
2	Scroll menu up Increase value
3	Move backward in menu Exit edit mode Reset faults with long press
4	Move cursor left
5	Stop button
6	Enter active level/item Confirm selection
7	Change control place Access control page Change direction
8	Move cursor right
9	Start button
10	Scroll menu down Decrease value

Advanced password

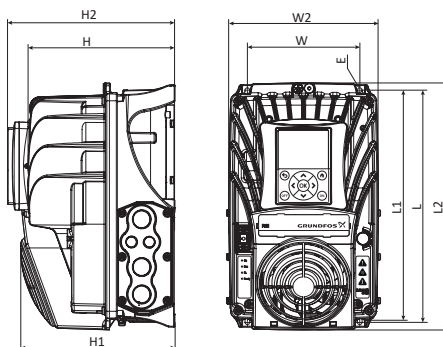
RSI is designed to fit into solar applications, and some parameters are hidden by a password (681400). It can be entered in the quick setup under "Advanced password". Then you get full access to all the parameters.



Changing the parameters can influence the MPPT and may cause it to malfunction.

5. Technical data

Dimensions, frame A



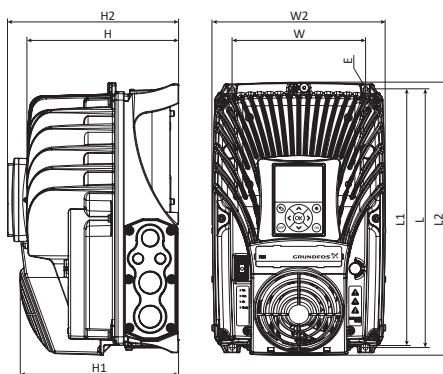
TM066526

Frame A, 1.5 - 5.5 kW

Product									
Net weight [kg (lb)]	E [mm (in)]	W [mm (in)]	W2 [mm (in)]	L [mm (in)]	L1 [mm (in)]	L2 [mm (in)]	H [mm (in)]	H1 [mm (in)]	H2 [mm (in)]
8.8 (19.40)	∅5.9 (0.23)	143.5 (5.65)	191.0 (7.52)	297.0 (11.69)	293.0 (11.54)	315.0 (12.40)	188.0 (7.40)	197.0 (7.76)	214.0 (8.43)

Packaging			
Gross weight [kg (lb)]	Length [mm (in)]	Width [mm (in)]	Height [mm (in)]
310 (683.43)	250 (9.84)	200 (7.87)	295 (11.61)

Dimensions, frame B



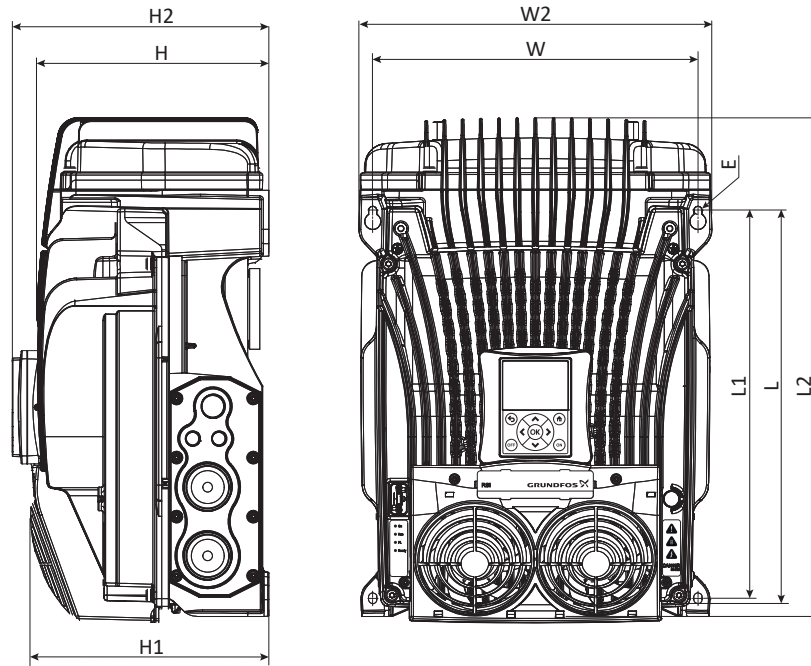
TM066527

Frame B, 7.5 - 15 kW

Product									
Net weight [kg (lb)]	E [mm (in)]	W [mm (in)]	W2 [mm (in)]	L [mm (in)]	L1 [mm (in)]	L2 [mm (in)]	H [mm (in)]	H1 [mm (in)]	H2 [mm (in)]
14.9 (32.85)	∅6.1 (0.24)	180.0 (7.09)	233.0 (9.17)	349.0 (13.74)	345.2 (13.59)	368.0 (14.49)	204.0 (8.03)	214.0 (8.43)	231.0 (9.10)

Packaging			
Gross weight [kg (lb)]	Length [mm (in)]	Width [mm (in)]	Height [mm (in)]
310 (683.43)	250 (9.84)	200 (7.87)	295 (11.61)

Dimensions, frame C

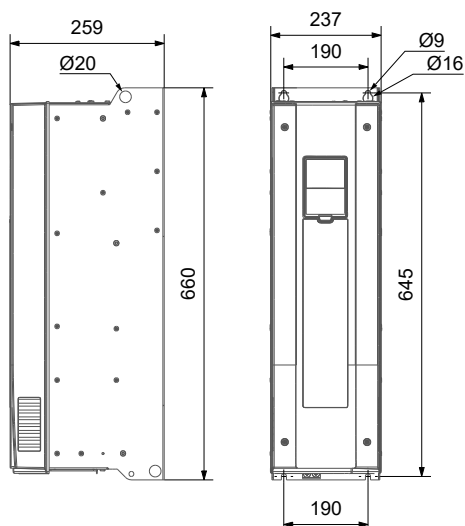


TM066528

Frame C, 18.5 - 37 kW

Product									
Net weight [kg (lb)]	E [mm (in)]	W [mm (in)]	W2 [mm (in)]	L [mm (in)]	L1 [mm (in)]	L2 [mm (in)]	H [mm (in)]	H1 [mm (in)]	H2 [mm (in)]
31.5 (69.45)	∅8.2 (0.32)	322.0 (12.68)	350.0 (13.78)	385.0 (15.16)	382.5 (15.06)	500.0 (19.69)	230.0 (9.06)	236.0 (9.29)	254.0 (10)
Packaging									
Gross weight [kg]	Length [mm (in)]		Width [mm (in)]			Height [mm (in)]			
310 (683.43)	250 (9.84)		200 (7.87)			295 (11.61)			

Dimensions, frame MR7

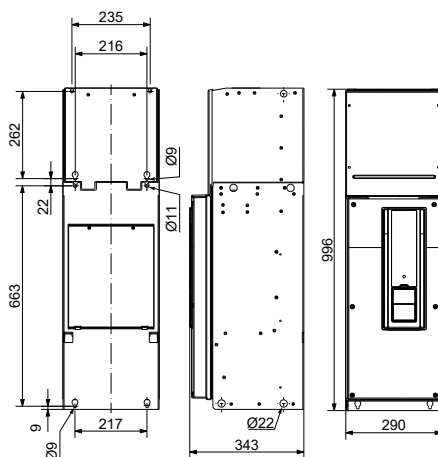


TM075444

Frame MR7, 45-55 kW

Product								
Net weight [kg (lb)]	E [mm (in)]	E1 [mm (in)]	E2 [mm (in)]	W [mm (in)]	W2 [mm (in)]	L [mm (in)]	L2 [mm (in)]	H2 [mm (in)]
37.5 (82.67)	Ø9 (0.35)	Ø16 (0.63)	Ø20 (0.79)	190 (7.48)	237 (9.33)	645 (25.39)	660 (25.98)	259 (10.20)
Packaging								
Gross weight [kg (lb)]	Length [mm (in)]			Width [mm (in)]		Height [mm (in)]		
40.5 (89.29)	320 (12.60)			330 (12.99)		750 (29.53)		

Dimensions, frame MR8

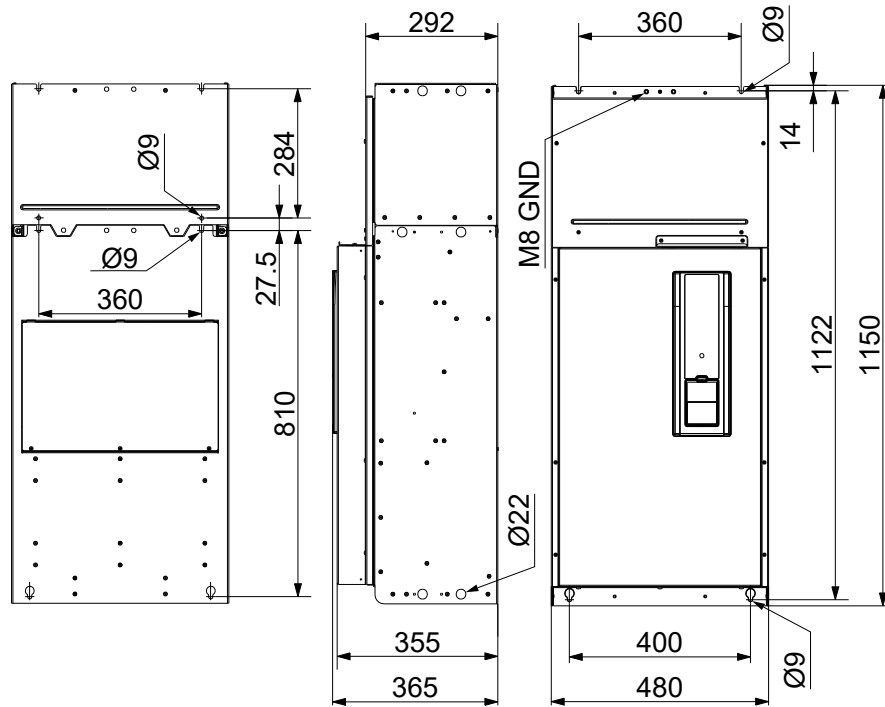


TM075445

Frame MR8, 110 kW

Product											
Net weight [kg (lb)]	E [mm (in)]	E1 [mm (in)]	E2 [mm (in)]	W [mm (in)]	W1 [mm (in)]	W2 [mm (in)]	W3 [mm (in)]	L [mm (in)]	L2 [mm (in)]	L3 [mm (in)]	H2 [mm (in)]
66 (145.50)	Ø9 (0.35)	Ø11 (0.43)	Ø22 (0.87)	217 (8.54)	216 (8.50)	290 (11.42)	235 (9.25)	663 (26.10)	996 (39.21)	262 (10.31)	343 (13.50)
Packaging											
Gross weight [kg (lb)]	Length [mm (in)]			Width [mm (in)]			Height [mm (in)]				
80.5 (177.47)	540 (21.26)			430 (16.93)			1140 (44.88)				

Dimensions, frame MR9

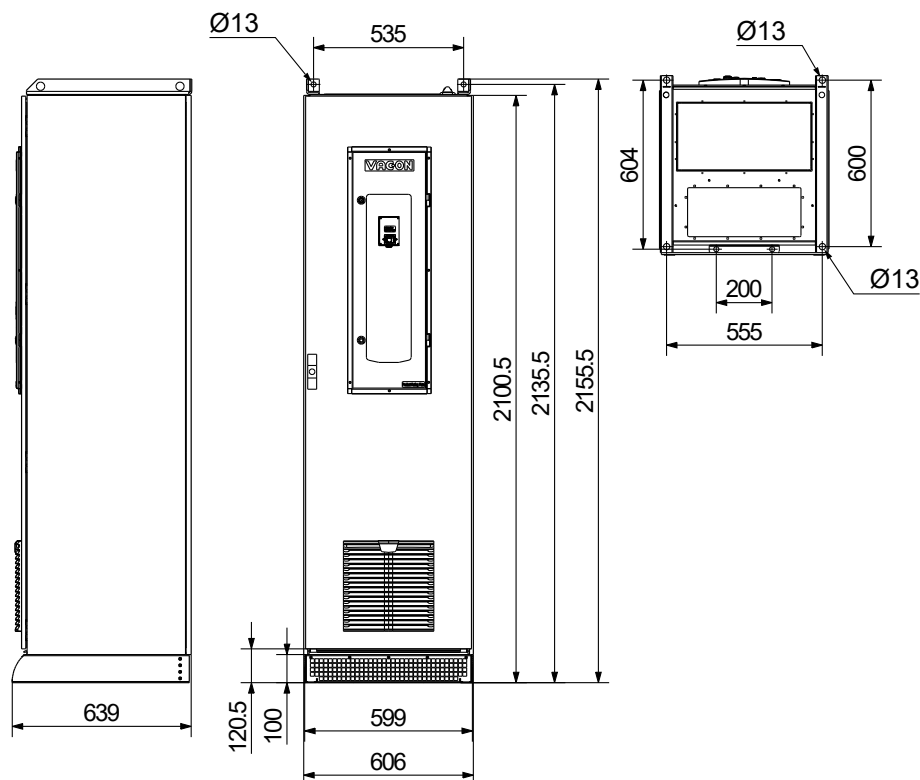


Frame MR9, 132- 160 kW

Product												
Net weight	E	E1	W	W1	W2	L	L1	L2	L3	H	H1	H2
[kg (lb)]	[mm (in)]	[mm (in)]	[mm (in)]	[mm (in)]	[mm (in)]	[mm (in)]	[mm (in)]	[mm (in)]	[mm (in)]	[mm (in)]	[mm (in)]	[mm (in)]
119.50 (263.45)	Ø9 (0.35)	Ø22 (0.87)	400 (15.75)	360 (14.17)	480 (18.90)	1122 (44.17)	810 (31.89)	1150 (45.28)	284 (11.18)	355 (13.98)	292 (11.50)	365 (14.37)

Packaging			
Gross weight	Length	Width	Height
[kg (lb)]	[mm (in)]	[mm (in)]	[mm (in)]
148.00 (326.28)	570 (22.44)	730 (28.74)	1300 (51.18)

Dimensions, frame ED



TM075727

Frame ED, 200-250 kW

Product										
Net weight [kg (lb)]	E [mm (in)]	W [mm (in)]	W1 [mm (in)]	W2 [mm (in)]	L [mm (in)]	L1 [mm (in)]	L2 [mm (in)]	H [mm (in)]	H1 [mm (in)]	H2 [mm (in)]
200 kW: 280 (617.29)	Ø13	535	599	606	2235.5	2200.5	2255.5	600	604	639
250 kW: 420 (925.94)	(0.51)	(21.06)	(23.58)	(23.86)	(88.01)	(86.63)	(88.80)	(23.62)	(23.78)	(25.16)

Packaging			
Gross weight [kg (lb)]	Length [mm (in)]	Width [mm (in)]	Height [mm (in)]
200 kW: 351 (773.82)	880	800	200 kW: 1300 (51.18)
250 kW: 491 (1082.47)	(34.65)	(31.50)	250 kW: 2450 (96.46)

Electrical and enclosure data

Voltage			3 x 208-240 V	3 x 380-440 V
Installation environment	Minimum ambient temperature	[°C (°F)]	-10 (14)	-10 (14)
	Maximum ambient temperature	[°C (°F)]	60 (140)	60 (140)
	Maximum relative humidity	[%]	100	100
Electrical data	Minimum MPP voltage	[VDC]	230	450
	Recommended MPP voltage	[VDC]	290-336	530-615
	Maximum input voltage	[VDC]	400	800
	Input voltage	[VAC]	208-240	380-480
	Rated output voltage	[VAC]	208-240	380-440
	Minimum frequency	[Hz]	5	5
	Maximum frequency	[Hz]	160	160
	Phases		3	3
	Enclosure class		IP66	IP54, IP66

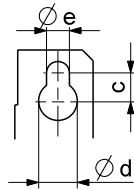
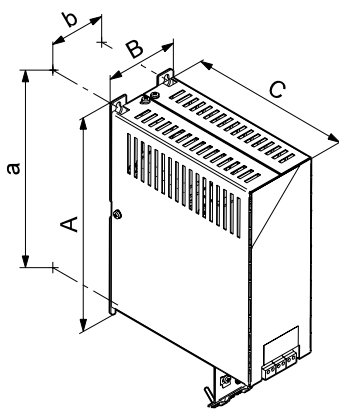
Technical data for disconnect switch, DC

Voltage, DC [V]	1000
Current [A]	16
Weight [kg]	1.05
Marking	IEC 60047

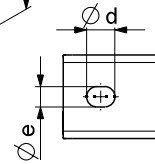
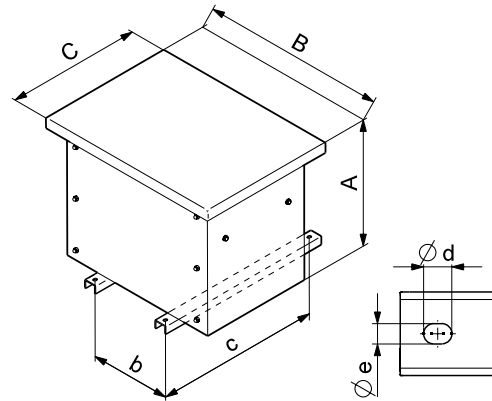
Technical data for surge protection, DC

Voltage, DC [V]	1000
Current [kA]	40
Weight [kg]	0.375
Marking	CE

Dimensions and weights of output filters



TMO40625



TMO40624

Wall mounting

Floor mounting

Product number	Mounting	Height [mm (in)]		Width [mm (in)]		Depth [mm (in)]		Screw holes [mm (in)]			Weight [kg]
		A	a	B	b	C	c	Ød	Øe	f	
Sine-wave filters											
96754973	Wall	268 (10.55)	257 (10.12)	90 (3.54)	70 (2.76)	205 (8.07)	-	11 (0.43)	6.5 (0.26)	8 (0.31)	7.1 (15.65)
96754974	Wall	268 (10.55)	257 (10.12)	130 (5.12)	90 (3.54)	205 (8.07)	-	11 (0.43)	6.5 (0.26)	8 (0.31)	9.1 (20.06)
96754976	Wall	330 (12.99)	312 (12.28)	150 (5.90)	120 (4.72)	260 (10.24)	-	19 (0.75)	9 (0.35)	12 (0.47)	16.9 (37.26)
96754977	Wall	430 (16.93)	412 (16.22)	150 (5.90)	120 (4.72)	260 (10.24)	-	19 (0.75)	9 (0.35)	12 (0.47)	19.9 (43.87)
96754978	Wall	530 (20.86)	500 (19.69)	170 (6.69)	125 (4.92)	260 (10.24)	-	19 (0.75)	9 (0.35)	12 (0.47)	39 (85.98)
96755019	Wall	610 (24.02)	580 (22.83)	170 (6.69)	125 (4.92)	260 (10.24)	-	19 (0.75)	9 (0.35)	12 (0.47)	41 (90.39)
96755021	Wall	200 (7.87)	190 (7.48)	75 (2.95)	60 (2.36)	205 (8.07)	-	8 (0.31)	4.5 (0.18)	7 (0.28)	3.3 (7.28)
96755032	Wall	610 (24.02)	580 (22.83)	170 (6.69)	135 (5.31)	260 (10.24)	-	19 (0.75)	9 (0.35)	12 (0.47)	54 (119.05)
97774436	Floor	918 (36.14)	-	940 (37.00)	779 (30.67)	792 (31.18)	660 (25.98)	11 (0.43)	22 (0.87)	-	205.0 (451.95)
97775142	Floor	918 (36.14)	-	940 (37.00)	779 (30.67)	792 (31.18)	660 (25.98)	11 (0.43)	22 (0.87)	-	237.0 (522.50)
97775146	Floor	918 (36.14)	-	940 (37.00)	779 (30.67)	792 (31.18)	660 (25.98)	11 (0.43)	22 (0.87)	-	307.0 (678.82)
97775148	Floor	918 (36.14)	-	940 (37.00)	779 (30.67)	792 (31.18)	660 (25.98)	11 (0.43)	22 (0.87)	-	370.0 (815.71)
97775149	Floor	1161 (45.71)	-	1260 (49.61)	1099 (43.27)	991 (39.02)	860 (33.86)	11 (0.43)	22 (0.87)	-	425.0 (936.96)

6. Product numbers

Renewable Solar Inverter

Low voltage range (3 x 208-240 V)

Power [kW]	Product number	Electrical data		Frame size	IP class
		Max. P2 [kW]	Rated output current [A]		
1.5	99090622	1.5	8	A	IP66
2.2	99090633	2.2	11	A	
3.0	99090634	3.0	12.5	A	
4.0	99090635	4.0	18	B	
5.5	99090636	5.5	24.2	B	
7.5	99090637	7.5	31	B	
11	99090638	11	48	C	
15	99090639	15	62	C	

High voltage range (3 x 380-440 V)

Power [kW]	Product number	Electrical data		Frame size	IP class
		Max. P2 [kW]	Rated output current [A]		
2.2	99044348	2.2	5.6	A	IP66
3.0	99044349	3.0	8	A	
4.0	99044350	4.0	9.6	A	
5.5	99044351	5.5	12	A	
7.5	99044352	7.5	16	B	
11	99044363	11	23	B	
15	99044364	15	31	B	
18.5	99044365	18.5	38	C	
22	99044366	22	46	C	
30	99044367	30	61	C	
37	99044368	37	72	C	IP54
45	99648886	45	87	MR7	
55	99648887	55	105	MR7	
110	99648888	110	205	MR8	
132	99648889	132	261	MR9	
160	99648890	160	310	MR9	
200	99648891	200	385	ED	
250	99648892	250	460	ED	

Sine-wave filter (IP21)

Voltage	Max. P2 to motor [kW]	Product number
3 x 380 VAC	2.2	96754973
	3	
	4	96754974
	5.5	96754976
	7.5	
	11	96754977
	15	96754978
	18.5	
	22	96755019
	30	96755021
	37	96755032
	55	97774436
	90	97775142
	132	97775146
	200	97775148
	250	97775149
	3 x 220 VAC	1.5
2.2		96754976
3		
4		96754977
5.5		96754978
7.5		
11		96755021
15	96755032	

Real-time clock (RTC)

Description	Product number
Battery pack	99240261

Cable glands

Description	Product number
Cable gland kit, RSI frame A	99240259
Cable gland kit, RSI frame B	99297480
Cable gland kit, RSI frame C	99297483

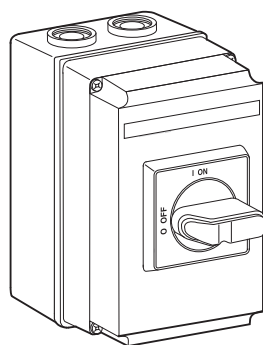
Option boards

Description	Product number
Digital	99295565
Analog	99295551
Pt100	99295525

PC Tool (RS-485)

Description	Product number
Grundfos PC Tool	99240260

Disconnect switch, DC

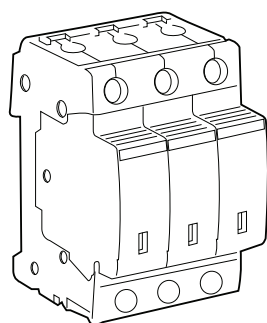


TM057581

Disconnect switch

Description	Product number
Disconnect switch, DC	98341686

Surge protection, DC



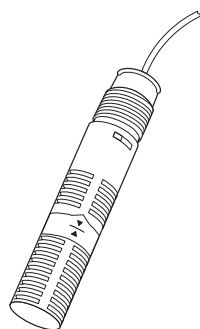
TM057582

Surge protection

Description	Product number
Surge protection, DC	98341687

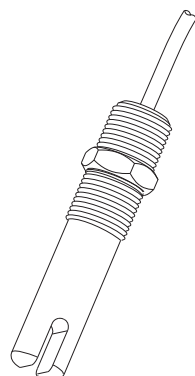
Dry-running switch

A



TM057457

B



TM061270

Description	Product number
Dry-running switch for submersible pumps (A)	98347579
Dry-running switch for dry-installed pumps (B)	97911215

Level switch (optional)



TM022407

Description	Product number
Level switch	010748

High water level: Contact is closed.

Low water level: Contact is open.

Solar cables

Description	Product number
Array to controller (MC4) 10	98257868
Array to array (MC4) 0.5	98257892

Service kits, wear parts

Description	Product number
Fan (A/B)	99297481
Fan (C)	99396484
Protective ventilation GORE-tex (A/B/C)	99297482
Fan internal (A/B)	99297484
Fan internal (C)	99297485
Keypad including cable (A/B/C)	99297486
HMI cable (A/B/C)	99297487
Control board (A/B/C)	99297488
HMI cap (ABC)	99297489

7. Appendix

The tables below show the recommended cable size to be used between solar panel and RSI in order to keep the power loss lower than 2 % at 20 °C (68 °F).

High voltage range (3 x 380 VAC)

Current in cable [A]	Distance between solar panel and RSI [m (ft)]												
	30 (98)	60 (197)	90 (295)	120 (394)	150 (492)	180 (591)	210 (689)	240 (787)	270 (886)	300 (984)	330 (1083)	360 (1181)	390 (1280)
	Recommended cable size [mm ² (AWG)]												
3	1.5 (16)	1.5 (16)	1.5 (16)	1.5 (16)	1.5 (16)	1.5 (16)	2.5 (14)	2.5 (14)	2.5 (14)	2.5 (14)	4 (12)	4 (12)	6 (10)
6	1.5 (16)	1.5 (16)	1.5 (16)	2.5 (14)	2.5 (14)	4 (12)	4 (12)	4 (12)	6 (10)	6 (10)	6 (10)	6 (10)	10 (8)
9	1.5 (16)	1.5 (16)	2.5 (14)	4 (12)	4 (12)	6 (10)	6 (10)	6 (10)	10 (8)	10 (8)	10 (8)	10 (8)	16 (6)
12	1.5 (16)	2.5 (14)	4 (12)	4 (12)	6 (10)	6 (10)	10 (8)	10 (8)	10 (8)	10 (8)	16 (6)	16 (6)	16 (6)
15	1.5 (16)	2.5 (14)	4 (12)	6 (10)	6 (10)	10 (8)	10 (8)	10 (8)	16 (6)	16 (6)	16 (6)	16 (6)	16 (6)

Low voltage range (3 x 240 VAC)

Current in cable [A]	Distance between solar panel and RSI [m (ft)]												
	30 (98)	60 (197)	90 (295)	120 (394)	150 (492)	180 (591)	210 (689)	240 (787)	270 (886)	300 (984)	330 (1083)	360 (1181)	390 (1280)
	Recommended cable size [mm ²]												
3	1.5 (16)	1.5 (16)	1.5 (16)	2.5 (14)	2.5 (14)	2.5 (14)	4 (12)	4 (12)	4 (12)	4 (12)	6 (10)	6 (10)	6 (10)
6	1.5 (16)	2.5 (14)	2.5 (14)	4 (12)	4 (12)	6 (10)	6 (10)	6 (10)	10 (8)	10 (8)	10 (8)	10 (8)	16 (6)
9	1.5 (16)	2.5 (14)	4 (12)	6 (10)	6 (10)	10 (8)	10 (8)	10 (8)	16 (6)	16 (6)	16 (6)	16 (6)	16 (6)
12	2.5 (14)	4 (12)	6 (10)	6 (10)	10 (8)	10 (8)	16 (6)	16 (6)	16 (6)	16 (6)	25 (4)	25 (4)	25 (4)
15	2.5 (14)	4 (12)	6 (10)	10 (8)	10 (8)	16 (6)	16 (6)	16 (6)	25 (4)	25 (4)	25 (4)	25 (4)	25 (4)

8. Grundfos Product Center

Online search and sizing tool to help you make the right choice. From the international view, you can select your specific country to view the product range available to you. International view: <https://product-selection.grundfos.com>

All the information you need in one place

Performance curves, technical specifications, pictures, dimensional drawings, motor curves, wiring diagrams, spare parts, service kits, 3D drawings, documents, system parts. The Product Center displays any recent and saved items - including complete projects - right on the main page.

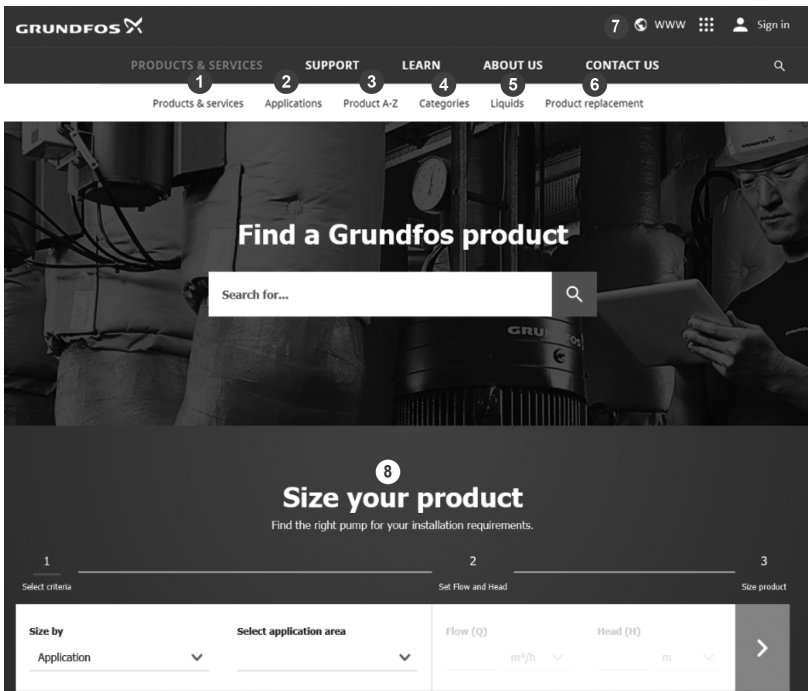
Downloads

On the product pages, you can download installation and operating instructions, data booklets, service instructions, etc., in PDF format.



When you select your country, you will see the menus below. Note that some menus may not be available depending on the country.

Example: <https://product-selection.grundfos.com/uk>



Pos.	Description
1	Products & services enables you to find products and documents by typing a product number or name into the search field.
2	Applications enables you to choose an application to see how Grundfos can help you design and optimise your system.
3	Products A-Z enables you to look through a list of all the Grundfos products.
4	Categories enables you to look for a product category.
5	Liquids enables you to find pumps designed for aggressive, flammable or other special liquids.
6	Product replacement enables you to find a suitable replacement.
7	WWW enables you to select the country, which changes the language, the available product range and the structure of the website.
8	Sizing enables you to size a product based on your application and operating conditions.

